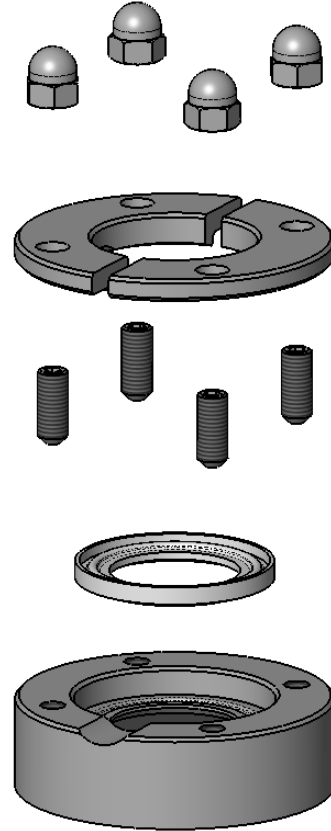
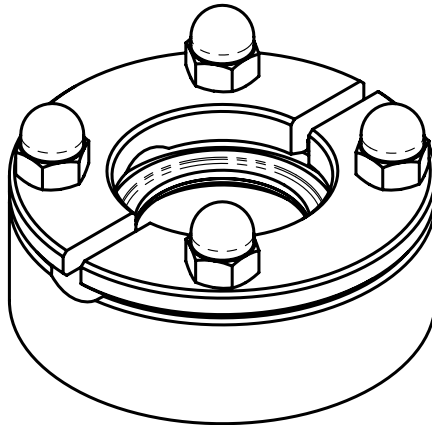
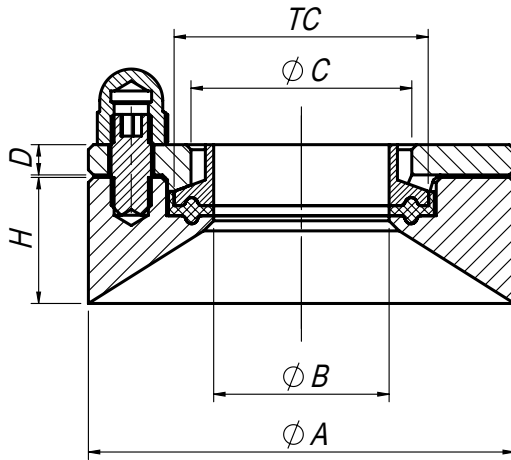


STERIFLANGE®

According to Tube standard ASTM® A270 (mm)



Name	Dimensions							Material (Weld ring)							
	Tube	TC	A	B	C	D	Studs	AISI 316L/EN 1.4404				1.4435			
								H and Art.No.				H and Art.No.			
								12	25	38	51	12	25	38	51
SF ASTM M-38	9.5	25	54.5	7.7	20	6	4x M6x20	107807	107816	107825	107834	108205	108214	108223	108232
SF ASTM M-50	12.7	25	54.5	9.4	20	6	4x M6x20	107808	107817	107826	107835	108206	108215	108224	108233
SF ASTM M-75	19.1	25	54.5	15.7	20	6	4x M6x20	107809	107818	107827	107836	108207	108216	108225	108234
SF ASTM M-100	25.4	50.5	84.5	22.1	43.8	6	4x M8x20	107810	107819	107828	107837	108208	108217	108226	108235
SF ASTM M-150	38.1	50.5	84.5	34.8	43.8	6	4x M8x20	107811	107820	107829	107838	108209	108218	108227	108236
SF ASTM M-200	50.8	64	99.5	47.5	55	6	4x M8x20	107812	107821	107830	107839	108210	108219	108228	108237
SF ASTM M-250	63.5	77.5	112	60.2	65.5	10	4x M8x25	107813	107822	107831	107840	108211	108220	108229	108238
SF ASTM M-300	76.2	91	131	72.9	78	10	6x M8x25	107814	107823	107832	107841	108212	108221	108230	108239
SF ASTM M-400	101.6	119	169.5	97.4	105	10	8x M8x25	107815	107824	107833	107842	108213	108222	108231	108240

Complete name = Name/H, ex: SF ASTM M-38/12



STERIDOSE®
www.steridose.com

A company in the Roplan group