

Function

Steriflange® is an aseptic mounting flange for all types of equipment mounted to vessels such as temperature transmitters, level transmitters and sample-valves with clamp connections. It gives superior CIP/SIP (Cleaning In Place/Sterilisation In Place) performance and allows equipment to be flush mounted on top, bottom and side of a vessel.

**Design**

The locking ring consists of two parts, in order to obtain double safety and easier mounting of the equipment. Steriflange® is supplied as a complete unit and is welded to the vessel. Manufactured of EN 1.4435 (AISI 316L) stainless steel and available in different sizes and connection standards.

Technical data

Product contact surfaces are finished to $Ra < 0.5\mu m$ or better.

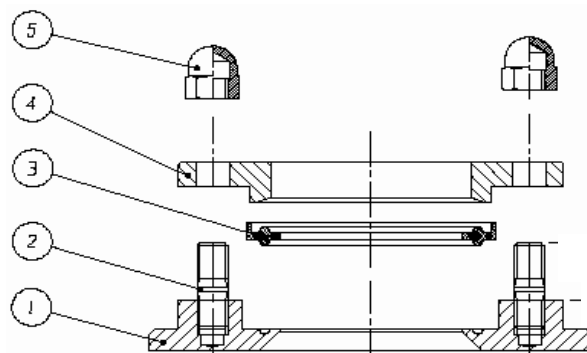
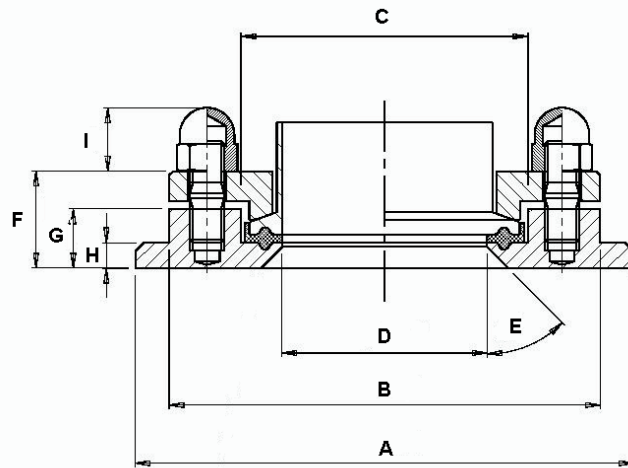
Traceability-certificates according to EN 10204 (3.1B) are always supplied with Steriflange® as standard. Gasket complies with FDA regulations.

Features

- Eliminates dead legs.
- Easy to clean/sterilise vessel equipment.
- No ferrules or threads.
- No air pockets during sterilisation
- Flexible flanging for different equipment.
- Secured CIP/SIP procedure.
- The mounting plate is designed to be welded to the vessel.

How to order

- Steriflange® is normally ordered as a complete unit and are available in different sizes; Ø 50,5mm, 64mm, 77mm, 91mm and 119mm.
- Separate parts can be ordered by part numbers according to the table below.



Art. No	Complete unit	1	2	3	4	5	A	B	C	D	E	F	G	H	I
110194	50.5/22.5	110193	110191	110192	110106	110169	90	90	54	22,5	60°	22,9	14	14	15
110104	50.5/35.5	110105	110191	110107	110106	110169	90	90	54	35,5	60°	22,9	14	14	15
110108	64/48.5	110109	110191	110111	110110	110169	118	102	68	48,5	45°	22,9	14	6	15
110164	77.5/60.3	110165	110170	110167	110166	110169	135	120	81,5	60,3	38°	25,9	14	6	15
110198	91/72,9	110199	110170	110204	110200	110169	131	131	95,4	72,9	38°	36,0	25	22	15
110201	119/97.4	110202	110170	110205	110203	110169	170	170	125	97.4	38°	38,0	25	22	15

N.B

It is the customers responsibility to check the safety when using the Steriflange® for every specific application regarding:

- External loads due to traffic, wind, seismic activity etc.
- Reaction forces and moments that result from any supports. Attachments, piping etc.
- Corrosion and erosion fatigue etc.
- Decomposition of unstable fluids.

Roplan AB
 Skyttbrinksvägen 20
 SE-147 39 Tumba
 Sweden
 Phone +46 8 449 99 00
 Fax: +46 8 449 99 90
 info@steridose.com
 www.steridose.com



SPECIALISTS IN SHAFT SEALING
 AND MAG DRIVE MIXING