



First Choice in Sanitary Applications

FrontLine™ Plate Heat Exchangers

Applications

Pasteurisation and general cooling/heating of dairy, brewery, beverage and food products. Also applicable for heating/cooling in the pharmaceutical industry.

Working principle

A Plate Heat Exchanger (PHE) consists of a pack of corrugated metal plates with port holes for the passage of two fluids between which heat transfer will take place.

The plate pack is assembled between a fixed frame plate and a movable pressure plate and compressed by tightening bolts.

The plates are fitted with a gasket which seals the inter-plate channel and directs the fluids into alternate channels. The number of plates is determined by the flow rate, physical properties of the fluids and the temperature program. Connections may be located in frame plate and pressure plate and if multi section PHE, also in connection plate.

Frame

The plates and the pressure plate are suspended from an upper carrying bar and located by a lower guiding bar, both of which are fixed to the support column. The tightening bolts are equipped with ball bearing washers in order to facilitate opening and closing of the unit. The frame and support column have adjustable feet.

One unit may contain several heat exchangers, separated by connection plates with interchangeable connections.

Plates

The Front plates are designed to meet the highest requirements in food processing. The combination of high pressing depth and a pattern with relatively few contact points provides longer operation time without interruptions. The distribution pattern assures an even flow over the entire plate. The ports have a diameter enabling cleaning in place (CIP) with the same flow used in the process itself.

The plate pack

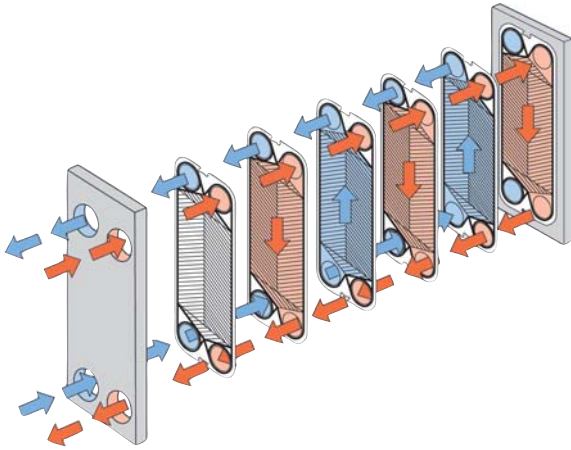
The chevron corrugation of the plates provides a passage between the plates and supports each plate against the adjacent one. It also enhances the turbulence, resulting in efficient heat transfer.

Different chevron angles are available to reach the optimal high heat transfer at a given pressure drop. A unique distribution area provides an efficient flow over the plate surface. The Alfa Laval hanging system enables easy handling of the plates in the frame. Furthermore the corner guiding provides a strong plate pack. The plates are reversible and have parallel flow, which means that only one type of gasket



Front plate

is needed.



Flow principle of a plate heat exchanger

Plate Types

Front6, Front8, Front10 and Front15.

Other plates of the FrontLine™ series are the WideStream® and Gemini plates.

The gasket

The FrontLine™ plates are supplied with glue-free Clip-On gaskets, which are easy to replace even with the plates still hanging in the frame. The material of gaskets are selected for safe use in connection with pharmaceutical and food products.



Front plate

Standard Materials

Plates

Stainless steel AISI 316, Titanium or SMO

Gaskets

High Temperature Nitrile-FDA or EPDM-FDA. Clip-On design.

Frame

Frame and pressure plate in solid stainless steel. All wetted parts in acid proof stainless steel. Other surfaces in various grades of stainless steel. Movable nuts on tightening bolts in chromium plated brass.

Technical Data

Mechanical design pressure (g) / Temperature

FRM – 10 bar / 150 °C

FRH – 16 bar / 150 °C

FRD – 21 bar / 150 °C

Complies with the European Pressure Equipment Directive (PED), may carry the CE mark depending on the design conditions.

Connections

DIN, SMS, Tri-CLAMP, B.S./RJT and IDF/ISO male parts. Others on request

Plates

Plates	Front 6	Front 8	Front 10	Front 15
Plate pattern	Chevron	Chevron	Chevron	Chevron
Surface m ²	0.18	0.38	0.62	0.91
Overall dim., mm	1,000 x 250	1,250 x 375	1,500 x 500	1,750 x 625
Port dim., mm	55	80	105	150
Thickness, mm	0.5/0.6/0.7	0.5/0.6/0.7	0.5/0.6/0.7	0.5/0.6

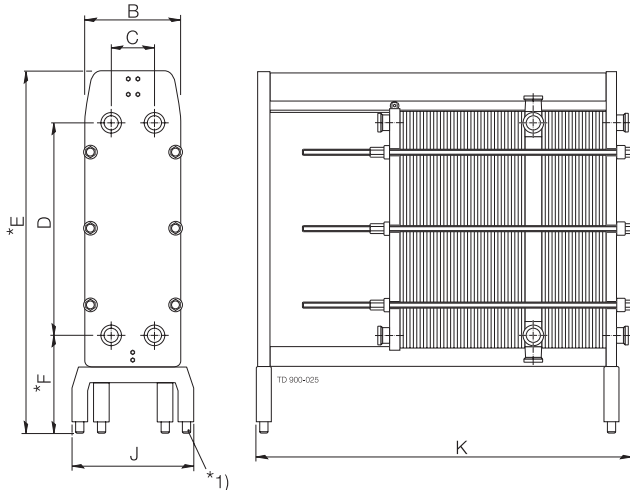
Options

- A. Thermometer pocket and nib with ventilation cock¹⁾
- B. Thermometer pocket¹⁾
- C. Connection for 51 mm pressure transmitter¹⁾
- D. Protection sheet
- E. Bolt protections of stainless steel
- F. 3-A finish
- G. Connections in titanium or SMO (frame and pressure plate)
- H. Extended legs
- I. Extra standard wrench or pneumatic tightening tool
- J. Test certificates and material certificate
- K. Testing by authorized inspection companies

All options are not available on all models.

¹⁾ At through pass corners in connection plates.

Dimensions (mm)



1) Adjustable feet ± 50 mm

Measurements (mm)				
	Front 6	Front 8	Front 10	Front 15
B	370	500	670	803
C	129	220	324	400
D	859	1,095	1,324	1,524
E	1,420*	1,850*	2,167*	2,605*
F	400*	500*	500*	700*
J	520	670	850	970
K	1,000-2,500	1,400-3,800	1,400-5,000	1,588-6,400

Connection (mm)				
	Front 6	Front 8	Front 10	Front 15
Diameter	51	76	76/101.6	101.6/150

Capacity l/h				
	Front 6	Front 8	Front 10	Front 15
Pasteurization	15,000	35,000	65,000	100,000
Heating/Cooling	15,000	35,000	65,000	150,000
Water	30,000	75,000	130,000	200,000

Overall length varies depending on numbers of plates and connecting plates. Recommended free space around the unit is 1.5 meter at sides and frame head end.

ESE00254EN 0701

The information contained herein is correct at the time of issue, but may be subject to change without prior notice.

How to contact Alfa Laval

Contact details for all countries are continually updated on our website. Please visit www.alfalaval.com to access the information direct.