



AlfaNova 27

Fusion plate heat exchanger

General information

AlfaNova is a completely new type of plate heat exchanger (PHE), the world's first PHE made of 100% stainless steel. It is based on Alfa Laval's new revolutionary technology, AlfaFusion, the art of joining stainless steel components together.

AlfaNova heat exchangers are well suited in applications which put high demand on cleanliness, applications where ammonia is used or applications where copper or nickel contamination is not accepted. Its high resistance to corrosion makes it both hygienic and environmental friendly.

It is extremely compact compared to its capacity to withstand great strains in demanding heat transfer applications.

Applications

Within Refrigeration:

- Oil cooler
- Condenser
- Evaporator
- Economizer
- Desuperheater
- Absorption systems

Other main applications:

- Domestic hot water heater
- Process cooling
- Hydraulic oil cooling
- Laser cooling
- Hygienic/sanitary application
- Water/water cooling & heating

Working principles

The heating surface consists of thin corrugated metal plates stacked on top of each other. Channels are formed between the plates and corner ports are arranged so that the two media flow through alternate channels, always in counter-current flow. The media are kept in the unit by a bonded seal around the edge of the plates. The contact points of the plates are also bonded to withstand the pressure of the media handled.



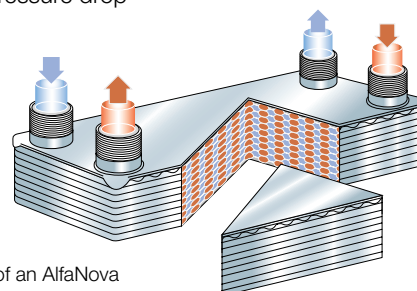
Standard design

The plate pack is covered by cover plates. Connections are located in the front or rear cover plate. The channel plates are corrugated to improve heat transfer design.

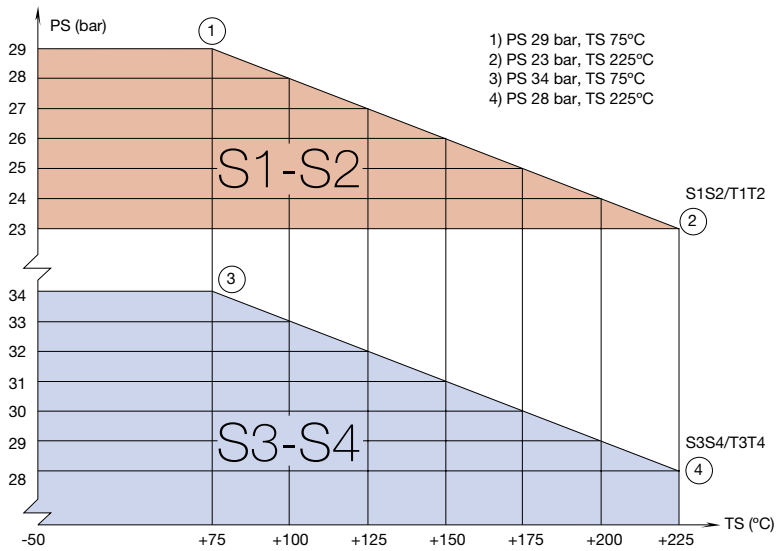
Particulars required for quotation

To enable Alfa Laval's representative to make a specific quotation, enquiries should be accompanied by the following particulars:

- flow rates or heat load required
- temperature program
- physical properties of liquids in question
- desired working pressure
- maximum permitted pressure drop



CE approval pressure/temperature graph (AlfaNova HP 27)



Standard data

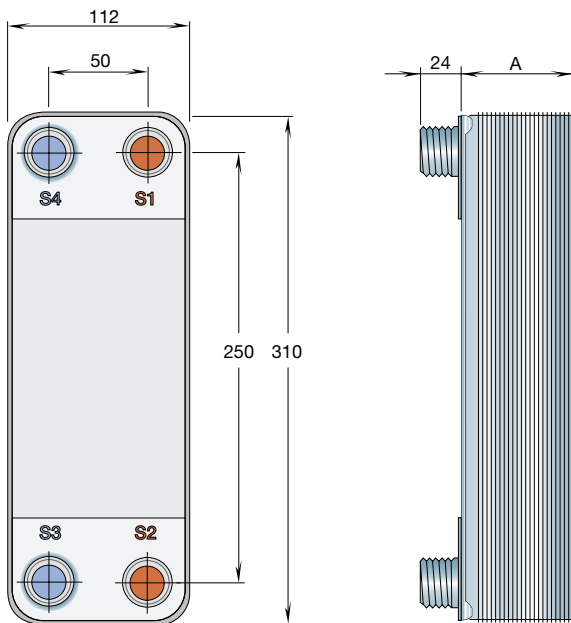
Min. working temperature	-50°C
Max. working temperature	see graph
Min. working pressure	Vacuum
Max. working pressure	see graph
Volume per channel, litres	0.05
Max. flowrate *)	7.5 m³/h

*) Water at 5 m/s (connection velocity)

Standard materials

Cover plates	Stainless steel
Connections	Stainless steel
Plates	Stainless steel
AlfaFusion filler	Stainless steel

Standard dimensions

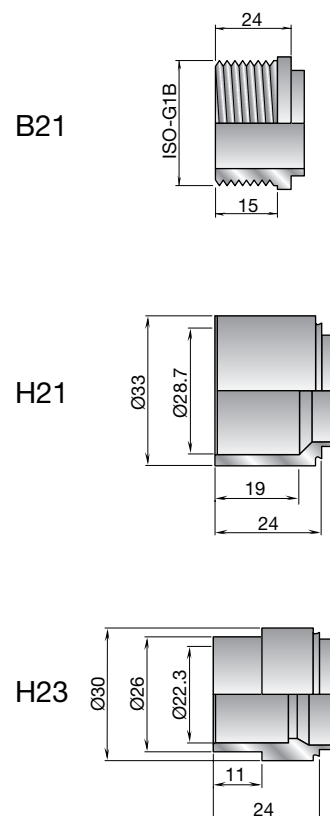


$$A = 11 + n \times 2.4$$

$$\text{Weight kg: } 1.5 + n \times 0.13 \text{ (n = number of plates)}$$

Measurements in mm

Standard connections



ECR00053EN 0408

Alfa Laval reserves the right to change specifications without prior notification.

How to contact Alfa Laval

Up-to-date Alfa Laval contact details for all countries are always available on our website at www.alfalaval.com.