



AC50

Brazed plate heat exchanger with single circuit for AC

The AC50 is designed by Alfa Laval for air conditioning and refrigeration applications.

AC50 is a single refrigerant circuit plate developed for chillers AC operating with cooling capacity from 10 – 60 kW.

The plate design have been developed by our R&D department and the heat exchanger have been verified by our laboratory to achieve the highest market performance with HFC refrigerants as R407C and R410a for higher pressure design.

We can say that AC50 confirms our product mission to improve our customers' performance time and time again.

Possible application

- Evaporator/condenser in chiller and heat pump
- Heat recover in chiller
- Liquid cooler in direct system

AC50 has a patented integrated distribution system pressed together with the plate to provide high design quality and heat exchanger performances repeatability.

AC50 will be available with the major pressure vessel code as CE (Europe); UL (US), KHK (Japan).

Advantages of brazed plate heat exchangers in Industry and HVAC&R

The Alfa Laval brazed plate heat exchangers (BHE) have several advantages over traditional heat exchangers in Industrial and HVAC&R applications:

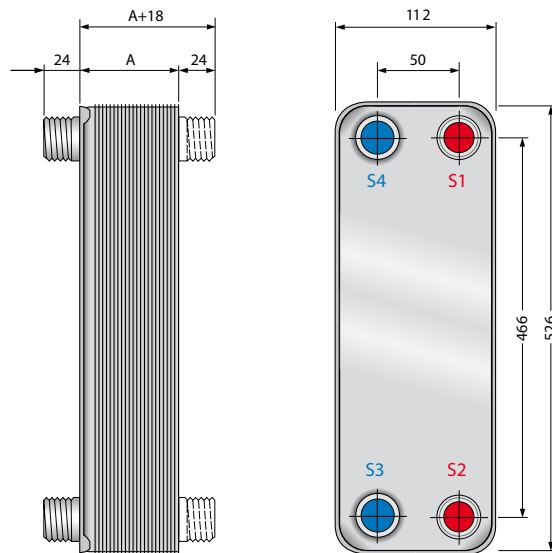
- The high heat transfer efficiency of the BHE makes it extremely compact and also easy to install in places where space is limited.
- The unit has no gaskets and is therefore suitable in applications where temperature and/or pressure is high.
- The Alfa Laval supply system reassures that, no matter where you are in the world, the BHE units are available with a very short delivery time.



Particulars required for quotation

To enable Alfa Laval's representative to make a specific quotation, enquiries should be accompanied by the following particulars:

- flow rates or heat load required
- inlet and outlet temperature
- physical properties of liquids or media
- desired working pressure
- maximum permitted brine pressure drop
- connection types



Dimensions in mm

General data

Design temperature	-50°C / +150°C
Design pressure standard	3.2 MPa
Design pressure special	4.5 MPa
Test pressure	4.83 MPa
Volume per channel	0.094 dm ³
Maximum flow rate (water side)	18 m ³ /h

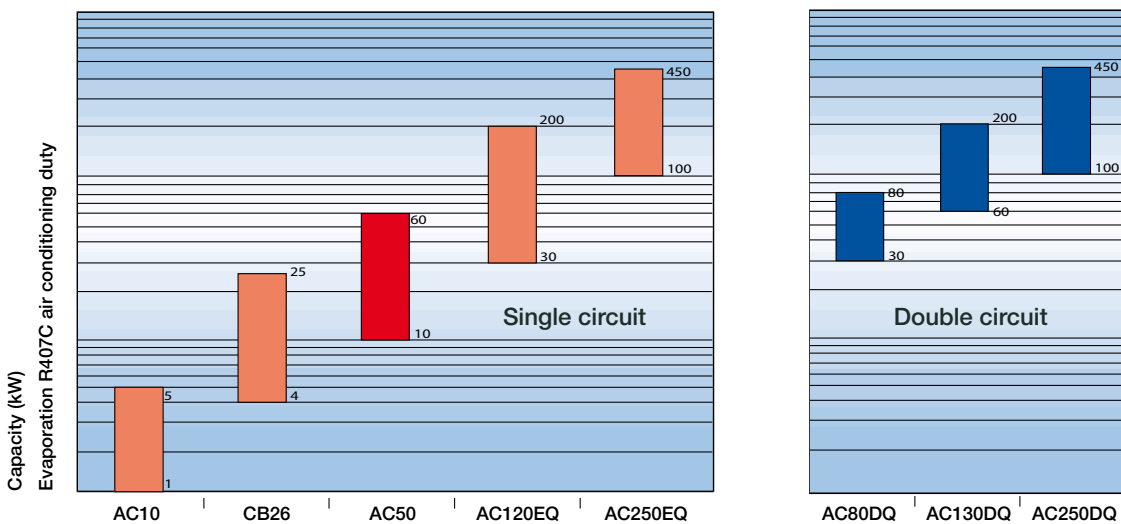
Standard connections

Water/brine side	S1-S2 – T1-T2: 1" 1/4
Refrigerant side	S3: 5/8", 7/8", 1" 1/8 S4: 1" 1/8, 1" 3/8

Dimensions

A = 10 + n x 2.4 (mm)
 Weight = 1.8 + n x 0.23 (kg)
 (n = number of plates)

Alfa Laval brazed plate heat exchangers range



How to contact Alfa Laval

Up-to-date Alfa Laval contact details for all countries are always available on our website at www.alfalaval.com